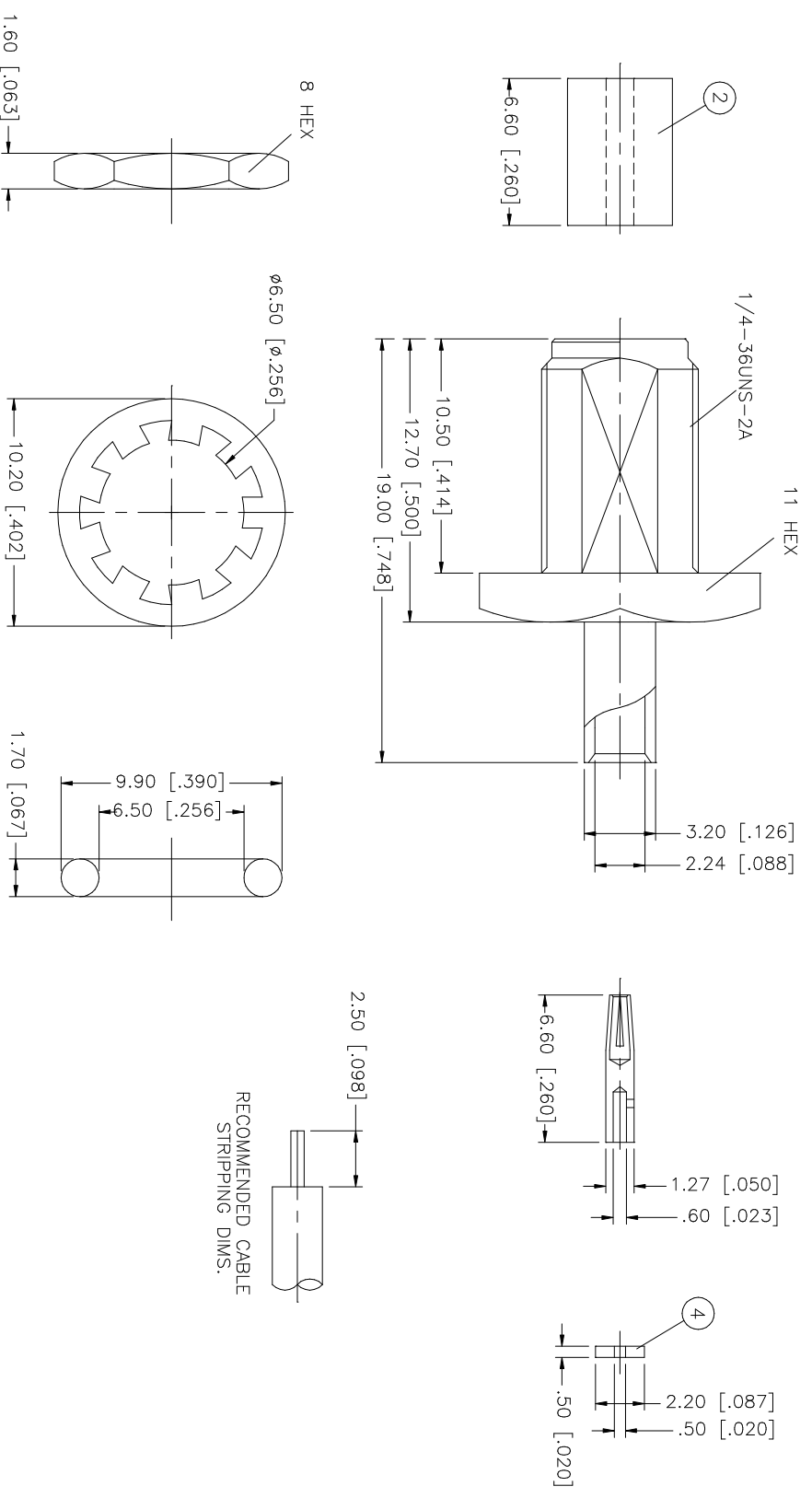


| REV. | DATE | DESCRIPTION |
|------|----------|--------------------------------|
| B | 01/12/98 | ADD INSULATOR/ STRIPPING DIM'S |
| C | 02/11/99 | MODIFY 'O'-RING DIMENSIONS |
| D | 04/31/03 | UPDATE DRAWING FORMAT |



NOTE:
 1. CONTACT PIN TO SOLDER.
 2. MAX. PANEL THICKNESS = 2.4mm

| QTY | DESCRIPTION | MATERIAL | FINISH | FINISH | QTY | DO NOT SCALE DRAWING | CAD FILE | APPROVALS | DATE | DWG. NO. | REV. | SIZE | SCALE |
|-----|-------------|-------------|---------|--------|-----|----------------------|-------------------|-----------|----------|------------|------|------|-------|
| 1 | INSULATOR | BRASS | GOLD | | 1 | | C:/132/132105.DWG | G.R.S. | 04/31/03 | 132105.DWG | D | A | NA |
| 1 | CONTACT PIN | BER. COPPER | GOLD | | 1 | | | | | | | | |
| 1 | INSULATOR | TEFLON | NATURAL | | 1 | | | | | | | | |
| 1 | BODY | BRASS | GOLD | | 1 | | | | | | | | |
| 1 | LOCK WASHER | BRASS | GOLD | | 1 | | | | | | | | |
| 1 | GASKET | SILICONE | RED | | 1 | | | | | | | | |
| 1 | INSULATOR | TEFLON | NATURAL | | 1 | | | | | | | | |
| 1 | CONTACT PIN | BER. COPPER | GOLD | | 1 | | | | | | | | |
| 1 | INSULATOR | TEFLON | NATURAL | | 1 | | | | | | | | |
| 1 | BODY | BRASS | GOLD | | 1 | | | | | | | | |
| 1 | LOCK WASHER | BRASS | GOLD | | 1 | | | | | | | | |
| 1 | GASKET | SILICONE | RED | | 1 | | | | | | | | |
| 1 | INSULATOR | TEFLON | NATURAL | | 1 | | | | | | | | |
| 1 | CONTACT PIN | BER. COPPER | GOLD | | 1 | | | | | | | | |
| 1 | INSULATOR | TEFLON | NATURAL | | 1 | | | | | | | | |
| 1 | BODY | BRASS | GOLD | | 1 | | | | | | | | |

Amphenol Connex

PART DESCRIPTION
 SMA DIRECT SOLDER BULKHEAD JACK
 (FOR .085", .086" SEMI-RIGID CABLE)

PART NO. 132105

UNLESS OTHERWISE SPECIFIED DIMENSIONS ARE IN MILLIMETERS. DIMENSIONS IN [] ARE IN INCHES AND FOR CUSTOMER REFERENCE ONLY. TOLERANCES FOR MILLIMETERS ARE:
 0.5 - 8mm ± 0.20mm
 8 - 30mm ± 0.40mm
 30 - 120mm ± 0.50mm
 UNLESS OTHERWISE SPECIFIED TOLERANCES FOR INCHES ARE:
 .020 - .315 = ± 0.007"
 .315 - 1.180 = ± 0.015"
 1.180 - 4.724 = ± 0.020"